

# Assembly Instructions

## Agra Side Table

- Before you begin to assemble your new piece of furniture, please check to ensure that all parts have been supplied.
- Follow instructions closely as deviation from them may void your warranty and present a possible safety risk.
- It is recommended that assembly is done on a soft surface like carpet to avoid any damage.
- If you experience any problems with your new purchase please phone Freedom Customer Service (FCS) on 1300 135 588 (Customers outside Australia should contact their closest Freedom store.)

### Care Information:

Periodically check and re-tighten all fasteners. Wipe down surfaces using a clean cloth weekly. Avoid direct sunlight.

### Hardware

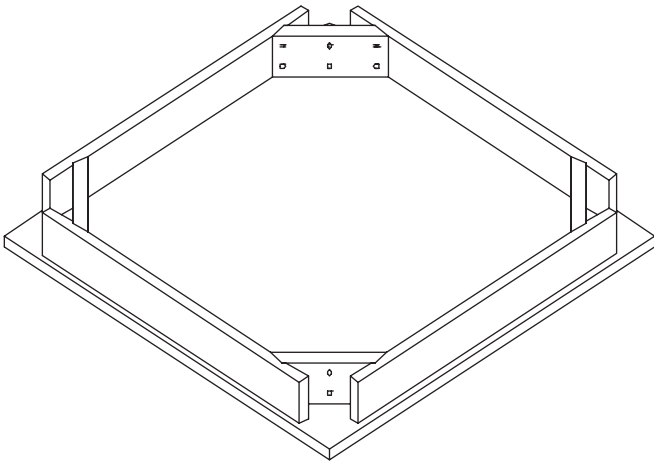


Part A x 8



Part B x 1

### Parts



Part D x 10



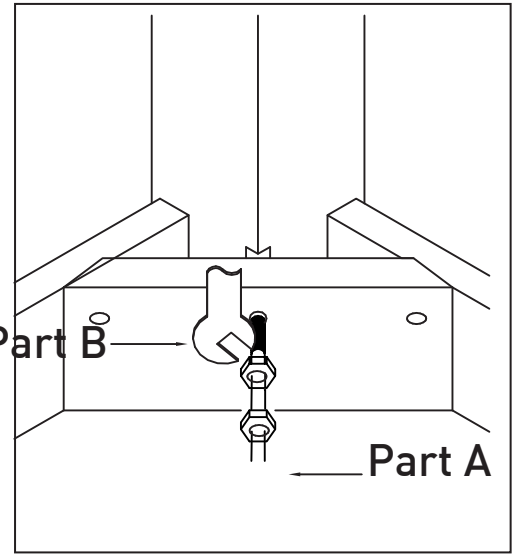
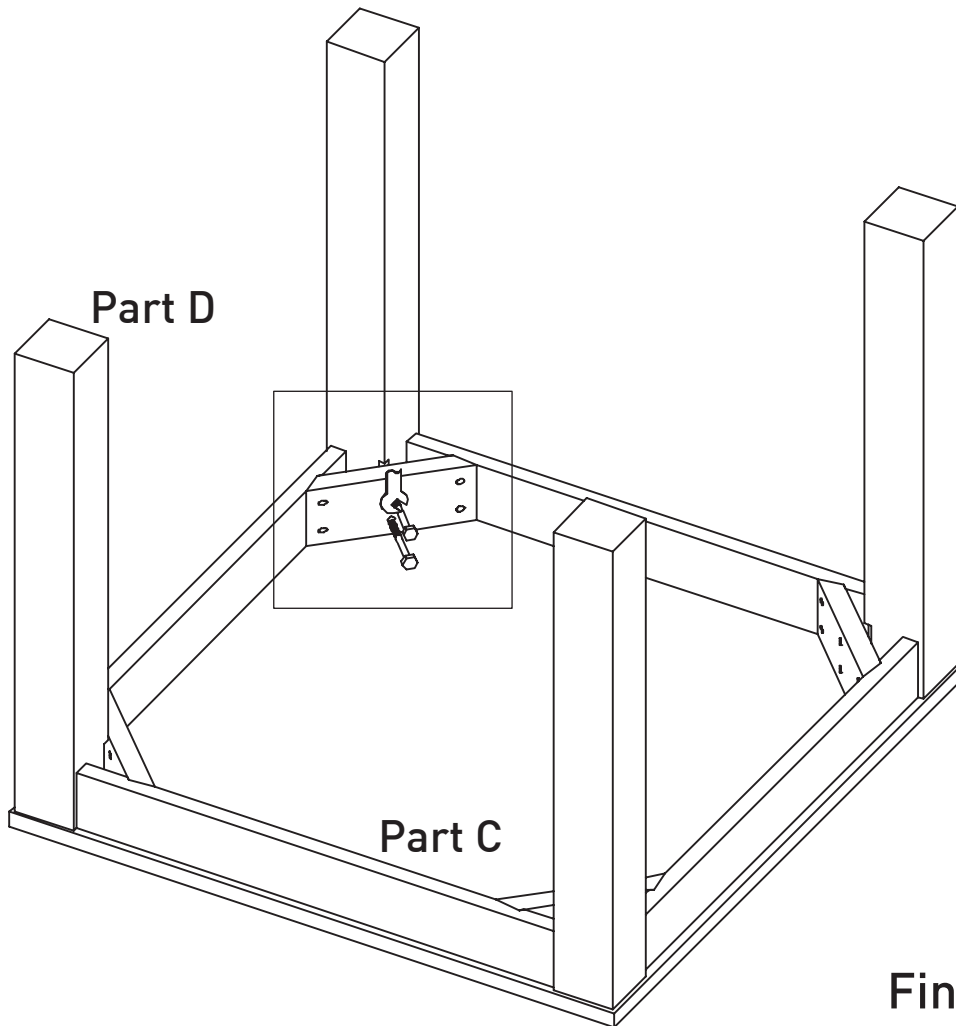
Part E x 4



# Assembly Instructions

## Agra Side Table

### Step: 1



### Finished :

